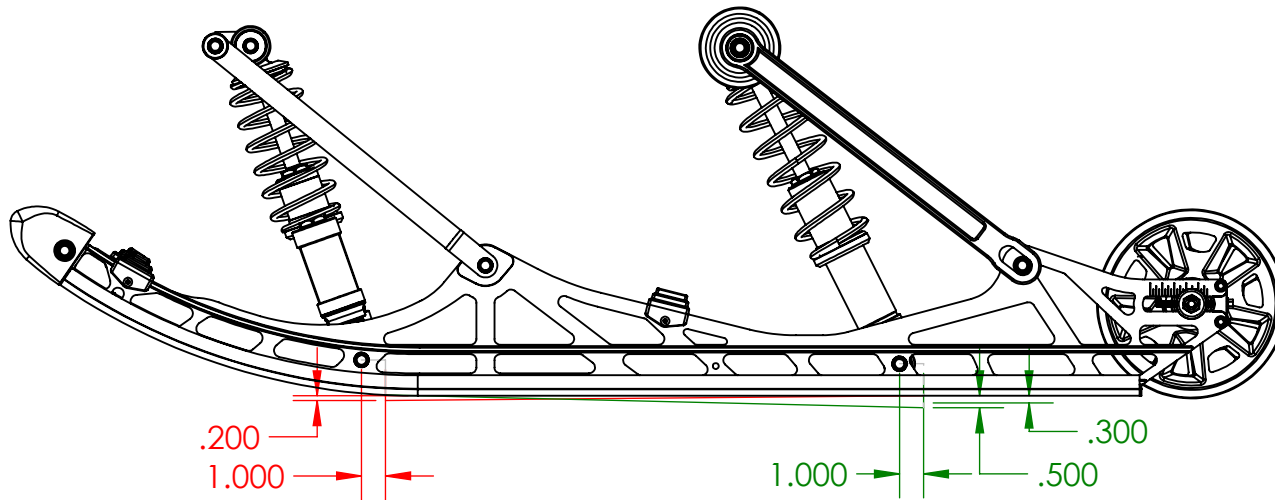


RAPTOR COIL SHOCK SET UP
APPROXIMATE STARTING PRELOAD

FRONT SHOCK

REAR SHOCK

FRONT SHOCK		REAR SHOCK	
RIDER WEIGHT	PRELOAD # TURNS	RIDER WEIGHT	PRESSURE
150	4	150	2
YETI STOCK SETUP 180	6	180	3
210	8	210	4
240	10	240	5
270	12	270	6



FOR RRS SET UP THE RAIL SHOULD BE .2" HIGH AT FRONT WHEN CALIPER ZERO'D AT REAR SHAFT AND MEASURED 1" BEHIND THE FRONT BOLT WITH BORE DEPTH END OF THE CALIPER. EACH REVOLUTION OF THE LOWER ROD END WILL CHANGE MEASUREMENT BY .050"

FOR RIGID STRUT THE RAIL SHOULD BE .3 TO .5" AT REAR WHEN CALIPER ZERO AT FRONT SHAFT AND MEASURED 1" BEHIND THE BOLT BORE DEPTH END OF THE CALIPER. TO ADJUST EACH 1 FULL REVOLUTION OF THE STRUT CHANGES MEASUREMENT BY .105"

TITLE:

YETI 2017 RAPTOR SUSPENSION SET UP

Yeti SNOWMX

A DIV. OF C3 POWERSPORTS 2014 LTD
1 - 17 RENAULT CRESENT
ST. ALBERT, ALBERTA. T8N 4B7
PH 780 419-2040 www.c3powersports.com

MATERIAL		FINISH	
REV	DISCRIPTION	DATE	DO NOT SCALE DRAWING

DRAWN BY:	
NAME	KEVIN FORSYTH
DATE	NOV 1-2016

SIZE	DWG. NO.	REV
A		
SCALE: 1:1	WEIGHT: 22.166	SHEET 1 OF 1